



Cabinets

Wall Mount Cabinet Emperor Series



Design Features

- *Sturdy and durable steel construction. Mounting rails – 18 ga., other parts 20 ga.
- *Furnished completely assembled with tempered glass front door and removable sides.
- *EIA 310 compliant for 19½ mount equipment.
- *Two pairs of fully adjustable panel mounting rails are included in the center section. One fixed pair of mounting rails is included in the rear section.
- *One ventilated shelf provided.
- *Includes two fans installed in the top of the center section.
- *Slots with readily removable covers are provided in the top and bottom of the rear section for easy cable installation.
- *Sides are readily removable but come with key lock and with ventilation at top and bottom of cabinet.
- *4 mounting slots provided in rear unit for rapid wall mounting.
- *Other sizes and modifications are available upon request.

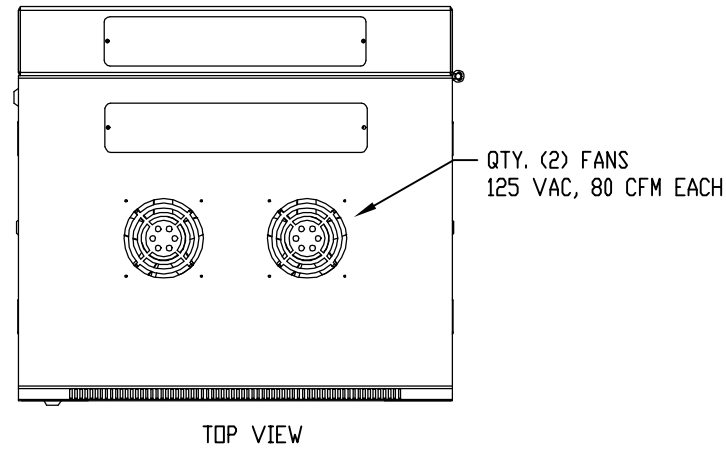
Bonus Features

Finishes

Black textured powder coating (easy to clean)

Catalog Number	Drawings	Panel Space Width x Height	"U"	Overall Height	Overall Width	Overall Depth	Center Section Depth	Weight (Lbs.)
WM-5601		19.00" x 21.00"	12	25.00"	23.62"	15.75"	12.00"	85
WM-5606		19.00" x 47.25"	27	51.34"	23.62"	15.75"	12.00"	140
WM-5611		19.00" x 21.00"	12	25.00"	23.62"	21.65"	17.90"	115
WM-5616		19.00" x 47.25"	27	51.34"	23.62"	21.65"	17.90"	175





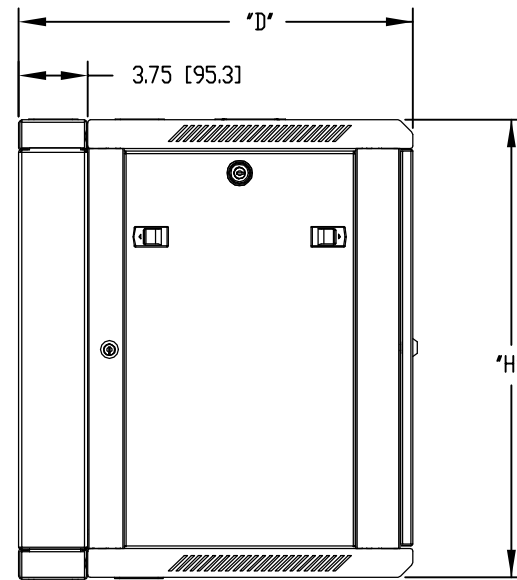
TOP VIEW

MATERIAL:
 PANEL MOUNTING RAILS - .14 GA [2.00] STEEL
 SHELF - 18 GAGE [1.20] STEEL
 ALL OTHER PARTS - 18 GAGE [1.20] STEEL

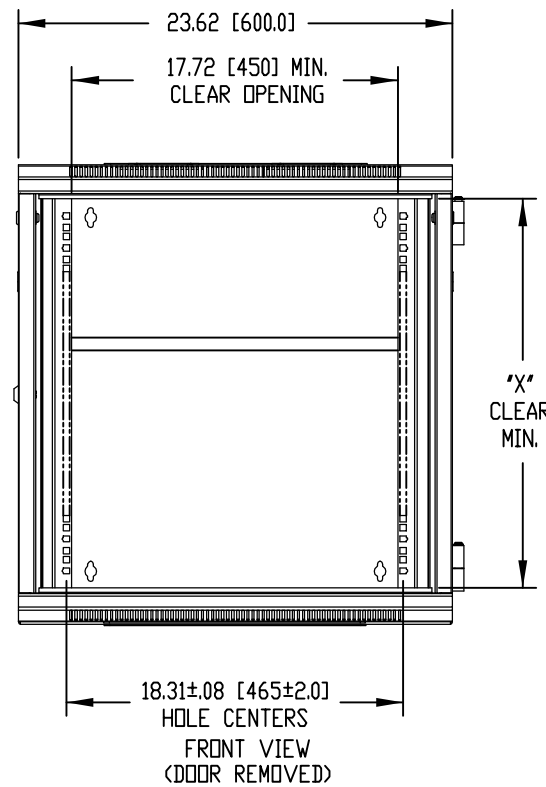
FINISH:
 BLACK TEXTURED POWDER COATING

PANEL MOUNTING RAILS HAVE 0.350 [8.89] SQUARE HOLES ON E.I.A. UNIVERSAL HOLE SPACING

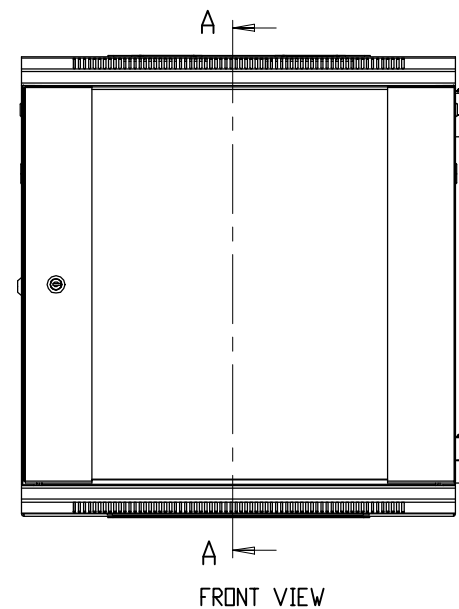
SUPPLIED HARDWARE KIT TO INCLUDE:
 QTY. (25) M6 CAGE NUT
 QTY. (25) M6 PAN HEAD SCREW
 QTY. (25) NYLON FLAT WASHER
 QTY. (8) KEYS



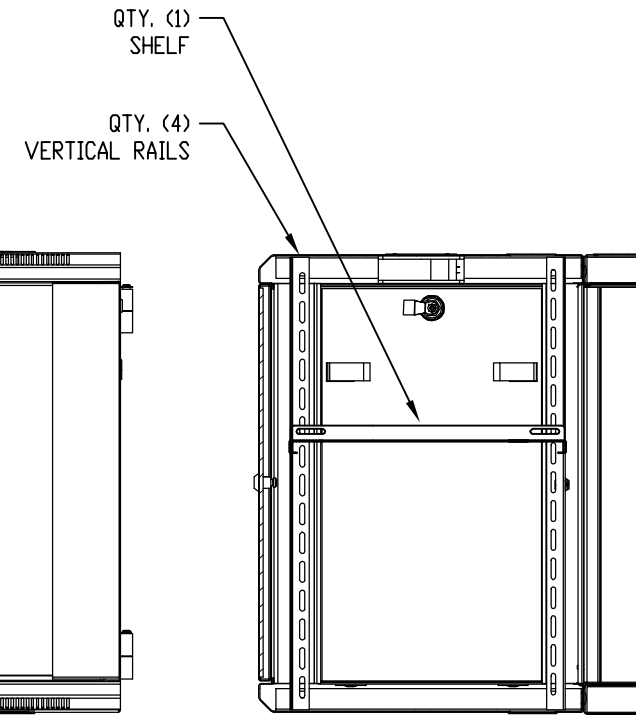
LEFT SIDE VIEW



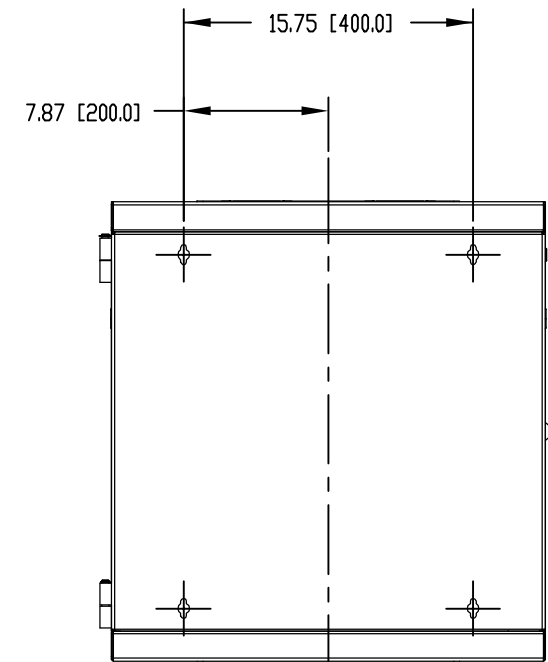
BOTTOM VIEW



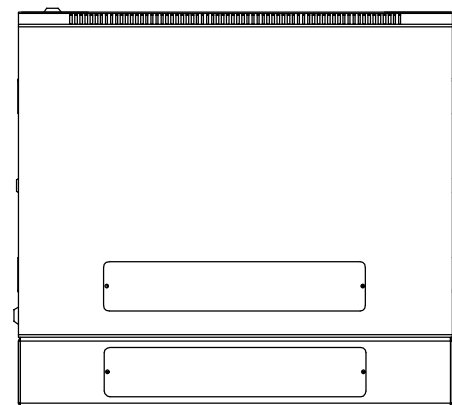
FRONT VIEW



SECTION A-A



BACK VIEW



PART NO.	"U"	"D"	"H"	"X"
WM-5601	12	15.75 [400.0]	25.0 [635.0]	21.14 [537.0]
WM-5606	27	15.75 [400.0]	51.34 [1304]	47.48 [1206.0]
WM-5611	12	21.65 [550.0]	25.0 [635.0]	21.14 [537.0]
WM-5616	27	21.65 [550.0]	51.34 [130.4]	47.48 [1206.0]

ITEM	REQ'D.	PART NO.	DESCRIPTION
TOLERANCES:		MAT: NOTED	SCALE:
±.080 [2.0]		FINISH: NOTED	 BUD INDUSTRIES, INC. WILLOUGHBY, OHIO
		DR. RD: 8-1-08	
QTY.	USED ON	APP.	DWG. NO. WM-SERIES
UNLESS OTHERWISE SPECIFIED			